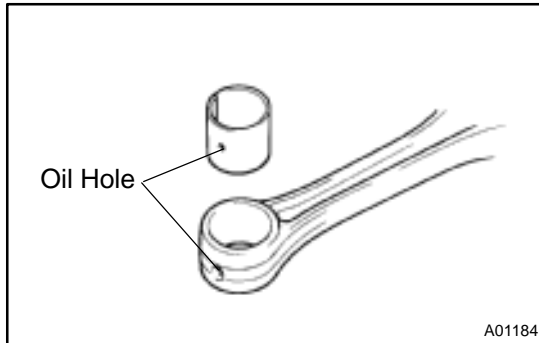


REPLACEMENT

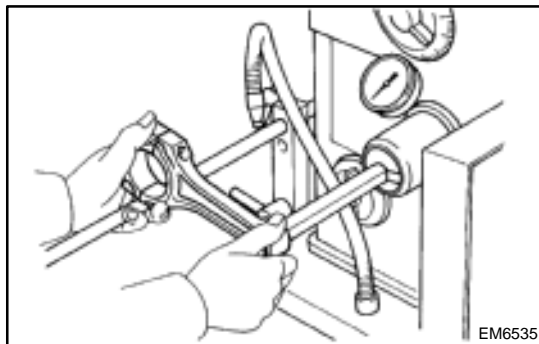
1. REPLACE CONNECTING ROD BUSHINGS

- (a) Using SST and a press, press out the bushing.
SST 09222-30010

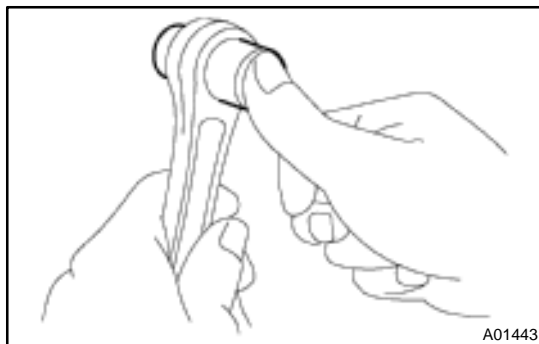


- (b) Align the oil holes of a new bushing and the connecting rod.

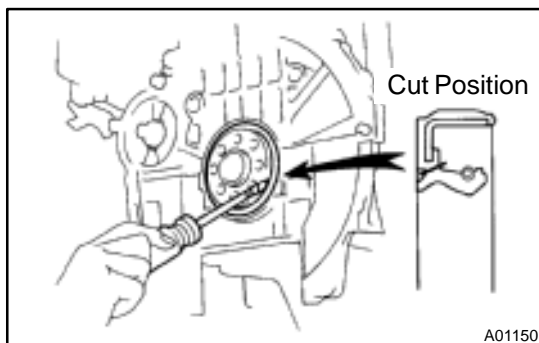
- (c) Using SST and a press, press in the bushing.
SST 09222-30010



- (d) Using a pin hole grinder, hone the bushing to obtain the standard specified clearance (See page EM-74) between the bushing and piston pin.



- (e) Check the piston pin fit at normal room temperature. Coat the piston pin with engine oil, and push it into the connecting rod with your thumb.



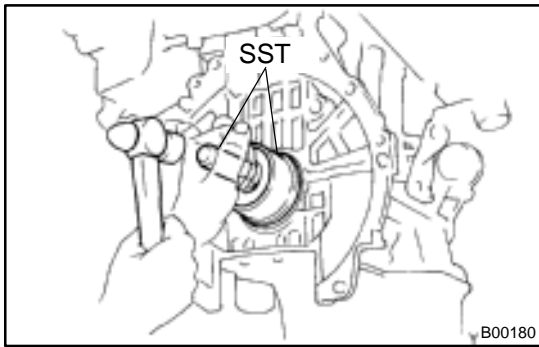
2. REPLACE CRANKSHAFT REAR OIL SEAL

If the rear oil seal is installed to the cylinder block.

- (1) Using a knife, cut off the oil seal lip.
- (2) Using a screwdriver, pry out the oil seal.

NOTICE:

Be careful not to damage the crankshaft. Tape the screwdriver tip.



- (3) Apply MP grease to a new oil seal lip.
 - (4) Using SST and a hammer, tap in the oil seal until its surface is flush with the rear oil seal retainer edge.
- SST 09223-15030, 09950-70010 (09951-07100)